



Concealed single-lever mixer with backflow preventor -

35 021 970 90



- lead-free, dezincification resistant
- safety combination
- 2x back flow preventer
- 2x male thread 1/2" connection
- 3x outlet G 1/2"
- dust cover
- anti-water packing
- sound and thermal insulation
- 2x integrated supply stop
- gauge 60 mm
- WRAS 2207012

Recommended miscellaneous

Extension 25 mm -

12 191 970 90



Recommended miscellaneous

Extension 25 mm -

12 190 970 90



Recommended miscellaneous

**xGRID Attachment set for
integrating in the dry wall
construction -**

12 340 970 90



Required miscellaneous

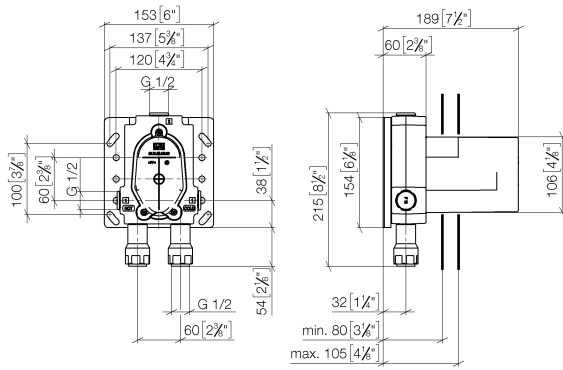
xGRID Installation track 555 mm - 12 360 970 90



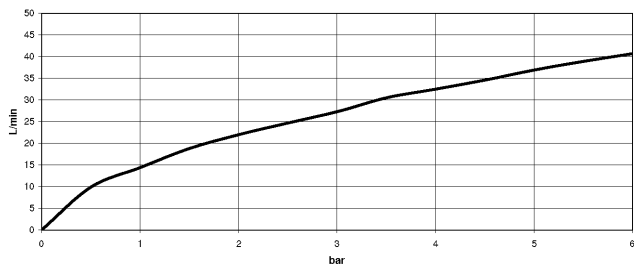
Concealed single-lever mixer with backflow preventor -

35 021 970 90

mm [inches]



Flow rate chart



Certificates

DVGW_DW-
6512DN0126.

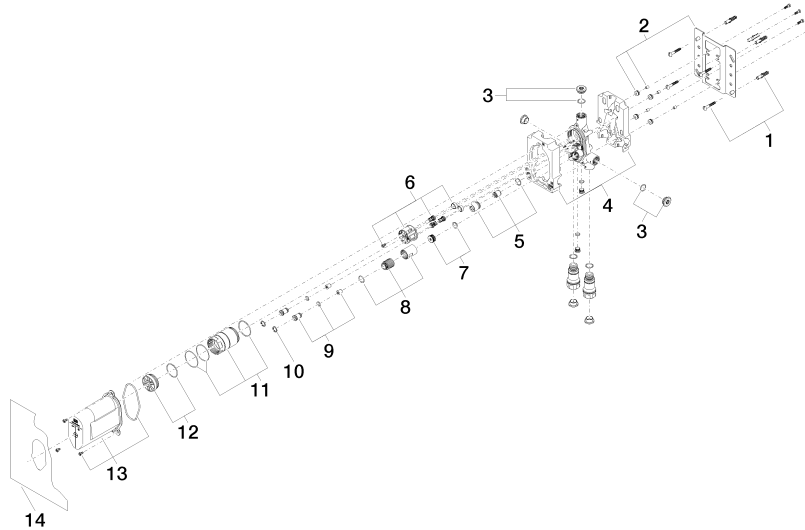
Belgaqua_21-385-
27_11.

LGA_19863.

WRAS_2207012.

Concealed single-lever mixer with backflow preventor -

35 021 970 90



Spare parts list

No.	Item Number	Name	Quantity used	Delivery time
1	04 30 31 024 01 90	fixing set	2	2
2	04 17 20 128 00 90	holder	1	2
3	04 31 20 006 00 90	plug	2	2
4	09 11 11 058 90	accessories	1	2
5	90 17 01 188 00 90	insert	1	2
6	90 18 40 151 00 90	insert	1	2
7	90 31 20 098 00 90	plug	1	2
8	90 17 01 189 00 90	sleeve	1	2
9	04 24 03 223 00 90	insert	2	2
10	09 16 01 014 90	ring	2	2
11	90 17 01 187 00 90	sleeve	1	2
12	04 31 20 100 00 90	plug	1	2
13	90 21 02 148 00 90	cap	1	2
14	04 14 03 155 00 90	gasket kit	1	2